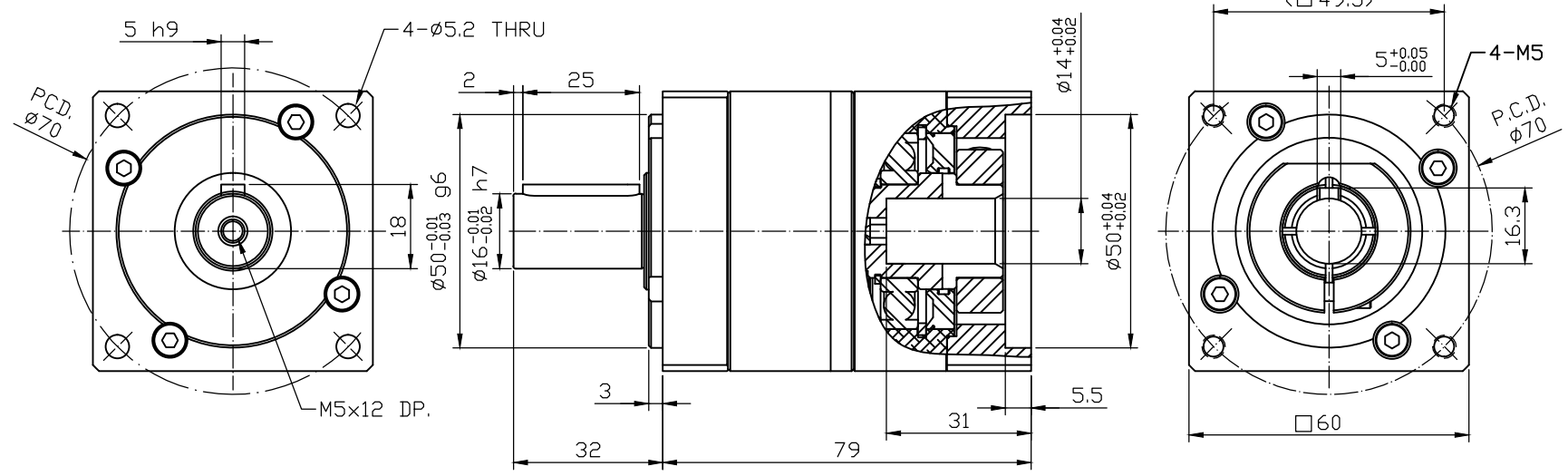
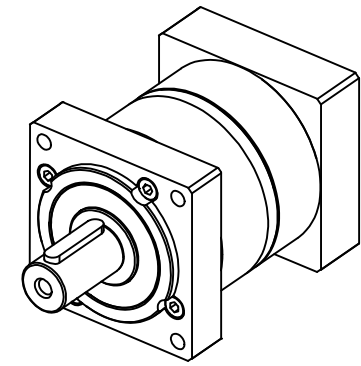


1 2 3 4 5 6 7 8

A
B
C
D
E
F



UNLESS OTHERWISE SPECIFIED
DIMENSIONS ARE IN mm
ALL ANGLES $\pm 0.5^\circ$
BREAK ALL EDGES 0.2mm~0.8mm
DECIMALS .X ± 0.2 / .XX ± 0.05
T.I.R. ○ 0.05 □ 0.05 ∕ 0.05

Proprietary And Confidential
The information contained in this drawing is the sole property of Mach Motion Products, any reproduction in part or as a whole without the written permission of Mach Motion Products is prohibited

MATERIAL:
HEAT TREATMENT:

FINISH:		
	DATE	NAME
DRAWN	2014.09.10	
CHECKED		
APPROVED		

		TITLE	60mm Planetary Gearbox 3:1 / 5:1 / 10:1		
		PART NO.	MPS-60-XXX-15		
		DWG.NO.	MPS-60-1-111M5		NOTE
	SCALE	1:1.5	SHEET	REV	

1 2 3 4 5 6 7 8