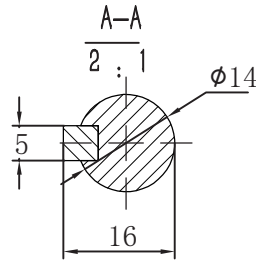
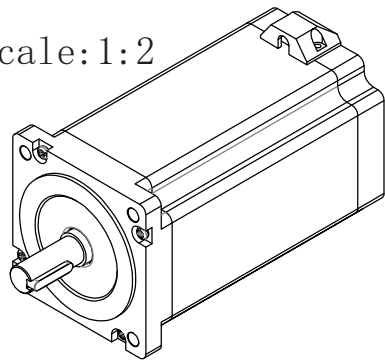
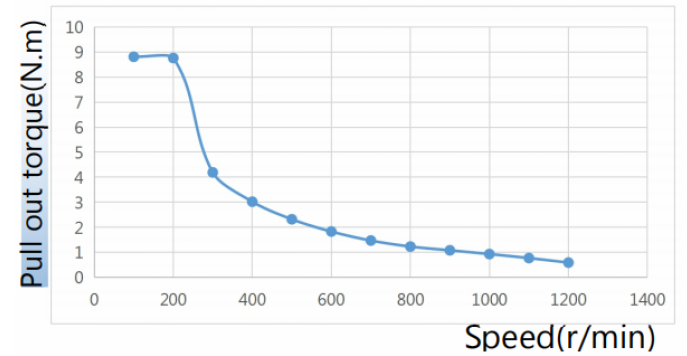
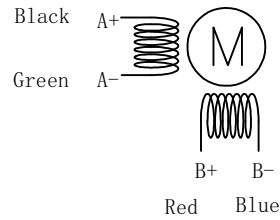


Scale: 1:2



MOTOR CONNECTIONS



Common Ratings		Specifications					
Step Angle	1.8°	Current / Phase(A)	6	1:1	ST86-18-156-460-14K-38 		
Position Accuracy	1.8° ± 0.09°	DC Resistance Ω±10%	0.76	⊕ ⊖			
Number of Phases	2	Inductance/Phase Mh±20%	8.4				
Temp. Rise (MAX)	80° C	Holding Torque (Nm)	12.2				
Dielectric Strength	1000 VDC	Inertia (Kg.cm ²)	4.0				
Insulation Resistance	100mOhm (500 VDC)	Weight (Kg)	5.2				
Radial Play	MAX 0.025mm						
Axial Play	MAX 0.075mm						
Insulation Class	F						