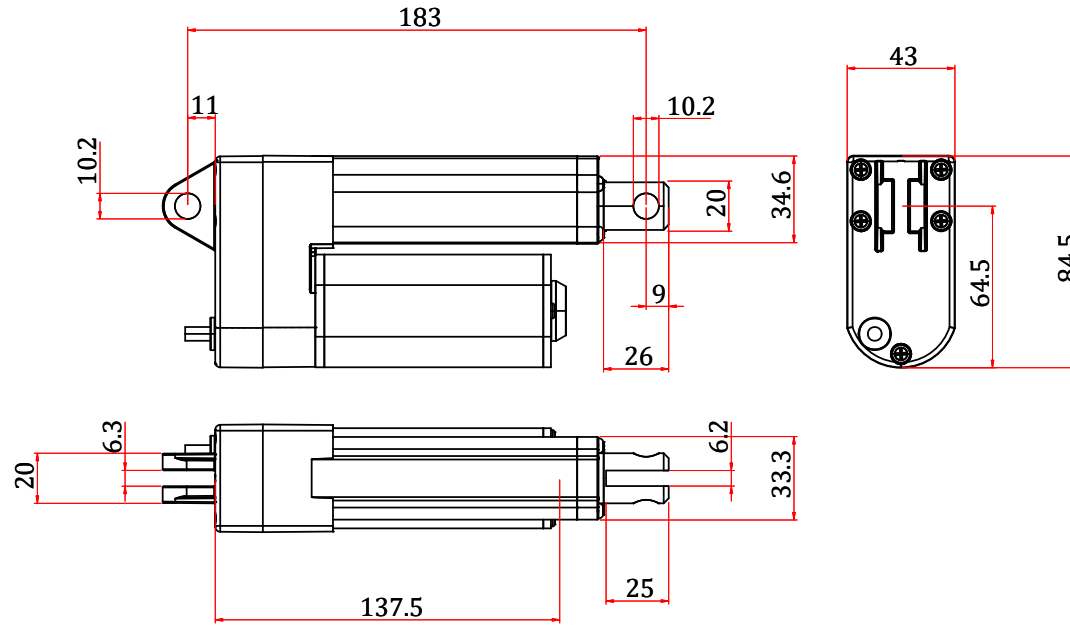


SZ6780SZ



Detailed Parameters		
1	Model	MLA-J2
2	Voltage	48V DC
3	Dynamic Load	2000N
4	Static Load	3000N
5	Travel	50±3mm
6	Min Install Length	183±3mm
7	Full load speed	5mm/s ±10%
8	No load speed	6mm/s ±10%
9	Front Connector	Thru-hole ø10.2, width 6.2, depth 25
10	Front Hole	90°
11	Rear Connector	Thru-hole ø10.2, width 6.3, depth 20
12	Rear Hole	90°
13	Limit Switches	Built-in, Non adjustable
14	Signal Feedback	None
15	Power Cord Definition	Extended: Black -, Red +; Retract: Black +, Red -
16	Signal line definition	none
17	Cable Length	500mm±10%
18	Cable Connectors	Tinned bare wire
19	Protection level	IP66
20	Duty cycle	20% Cont. ≤2 min.
21	Operating temperature	-40°C to 65°C
22	No-load current	≤0.3 Amp

						2025.08.29			
						Date			
Unit	MM	Scale	1 : 1				Part #	MLA-J2-48-50-183-6-0	
			Page				Drawing #	25082925	
			1/1						