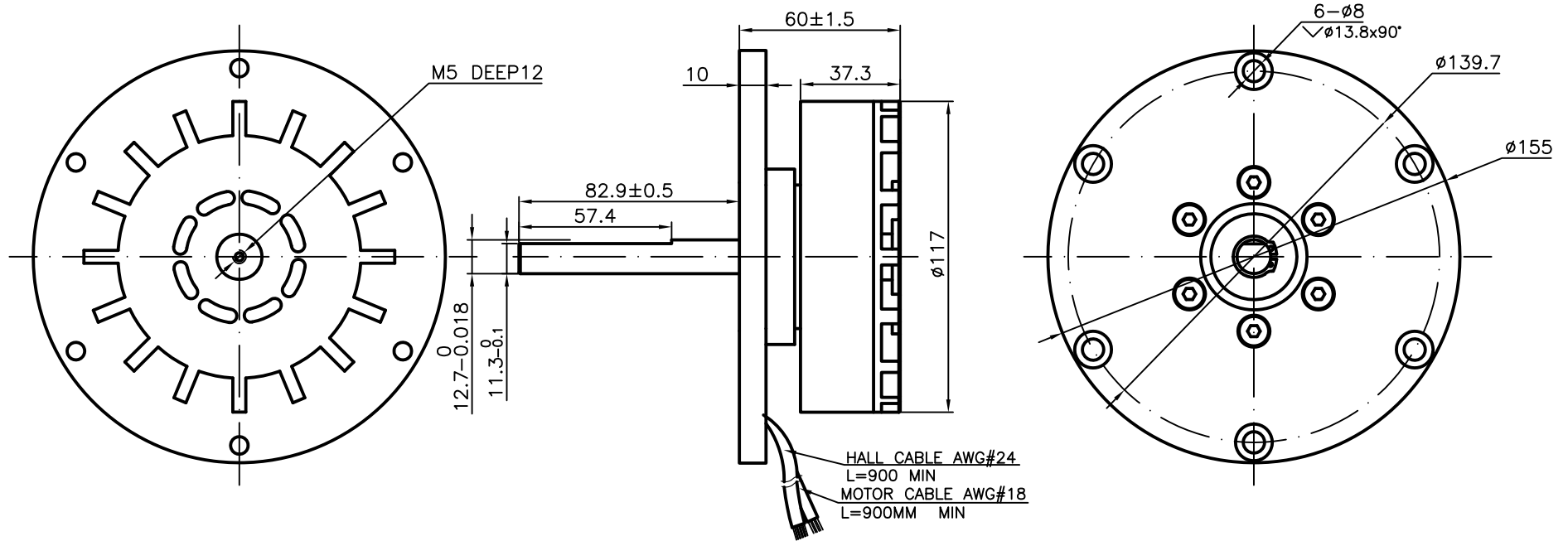
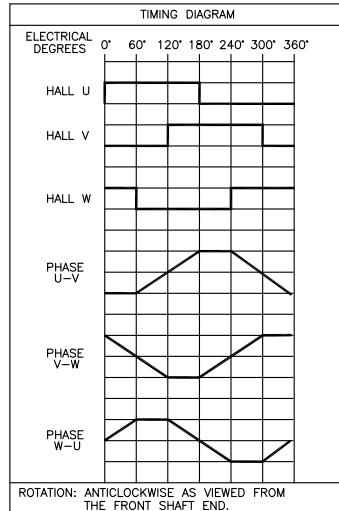


NOTES:
1. HI-POT: 600VAC, 1S, 2mA

REV	DESCRIPTION	DATE	APPROVE
P5	PRELIMINARY	18/12/17	WC
P6	PRELIMINARY	19/09/16	WDP



Motor Specification	
Voltage	24 V
No Load Speed	550 rpm \pm 10%
No Load Current	0.3
Rated power	99 W
Rated Speed	280 rpm \pm 10%
Rated Current	8.0 A \pm 10%
Rated Torque	3.4 Nm
Stall Current	24 A
Stall Torque	10 Nm
Ke(RMS)	32 V/Krpm
POLES	26
Weight	1.8



Mach Motion Products

P/N: EF120AS104 REV:P6

S/N: WWYY XXXXXX

24VDC, 3.4Nm, 280RPM

32

19

CONNECTION CHART		
	COLOR	FUNCTION
MOTOR	RED	PHASE R
	BLACK	PHASE S
	WHITE	PHASE T
SENSOR	RED	HALL A
	BLACK	HALL B
	WHITE	HALL C
	GREEN	VCC
	BLUE	GROUND

NOTE: THIS DRAWING HAS BEEN CREATED BY AUTOCAD. MANUAL REVISIONS ARE NOT ALLOWED.

MATERIAL		TOLERANCE UNLESS OTHERWISE SPECIFIED ISO 2768-1 MEDIUM			
DRAWN	CHECKED	APPROVED - DATE	FILENAME	DATE	SCALE N/A
Mach Motion Products		DC BRUSHLESS MOTOR			SHEET 1/1
		MBF 120AS104			

THIS DRAWING AND THE INFORMATION DISCLOSED HEREIN ARE PROPRIETARY DATA OF MACH MOTION PRODUCTS, AND IS TO BE IMMEDIATELY RETURNED UPON REQUEST. REPRODUCTION OF THIS DRAWING OR THE INFORMATION CONTAINED HEREIN IS PROHIBITED WITHOUT THE EXPRESSED WRITTEN APPROVAL OF MACH MOTION PRODUCTS