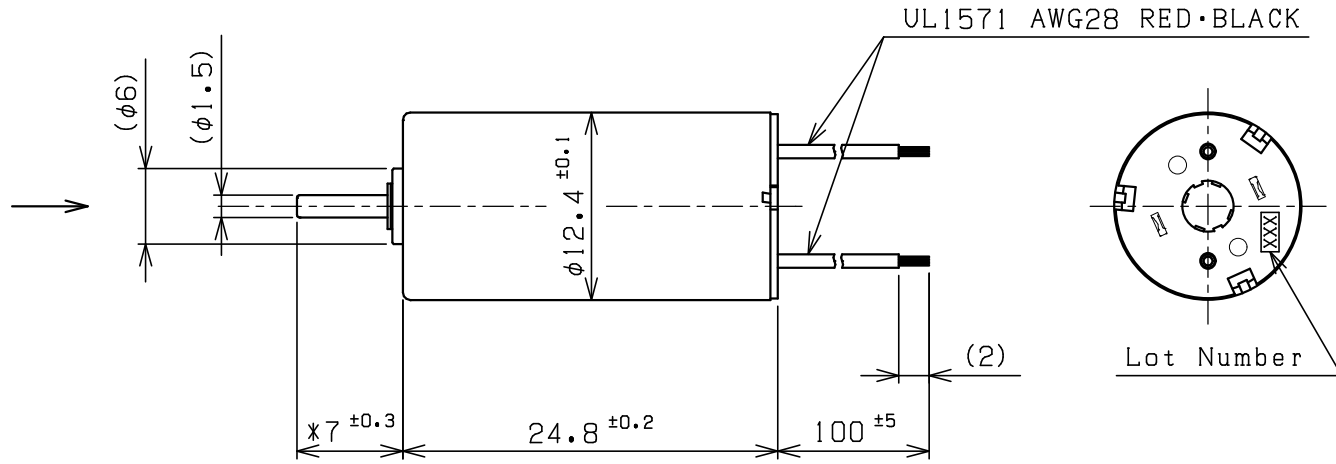
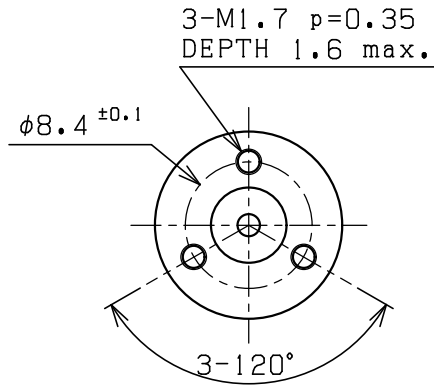


TOLERANCE



Remarks:

1. This value(*) is measured with the output shaft pushed to the motor housing.
2. If pinion or other parts are attached to the shaft, we will install it to maintain product quality.
3. Motor weight: 15.0g max.

△					APPD.	CHK.	DSGN.	DRW.	MTRL.	QTY.	MODEL
△							SAITO	SAITO	FINISH	SCL. 2/1	M12C-45-S-MM
△							'19.10.30	'19.10.30			TITLE
△										DWG.No	
△											
SYM.	DATE	REVISION	DRW.	CHK.	Mach Motion Products						