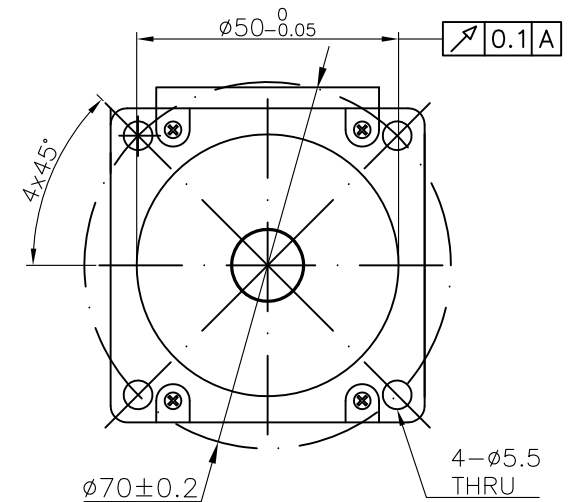
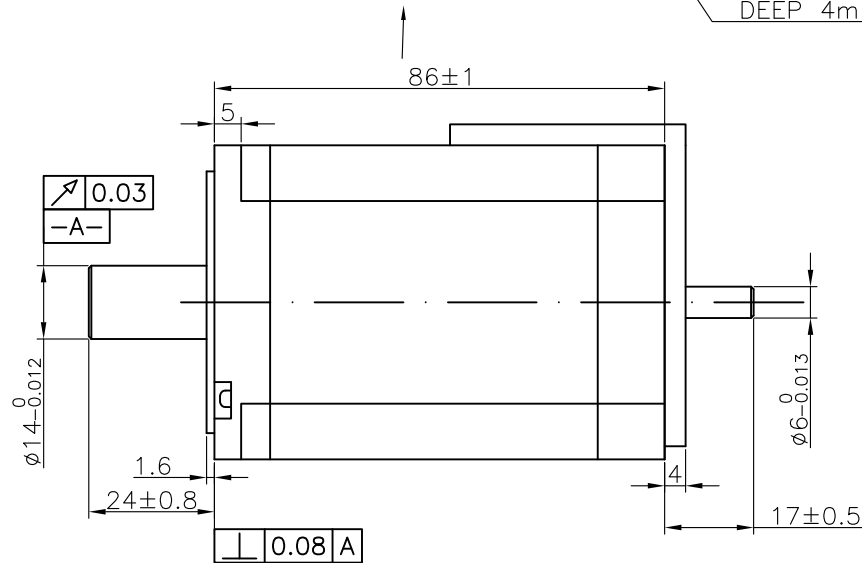
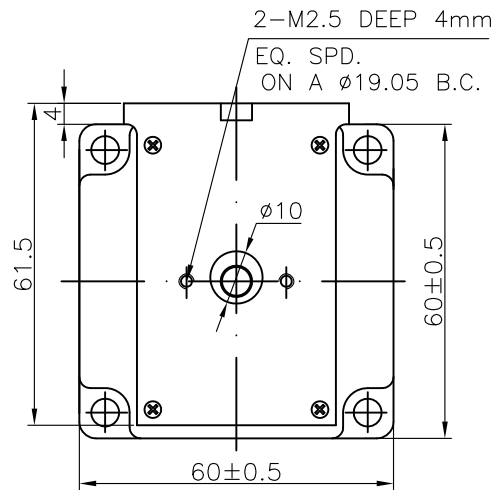
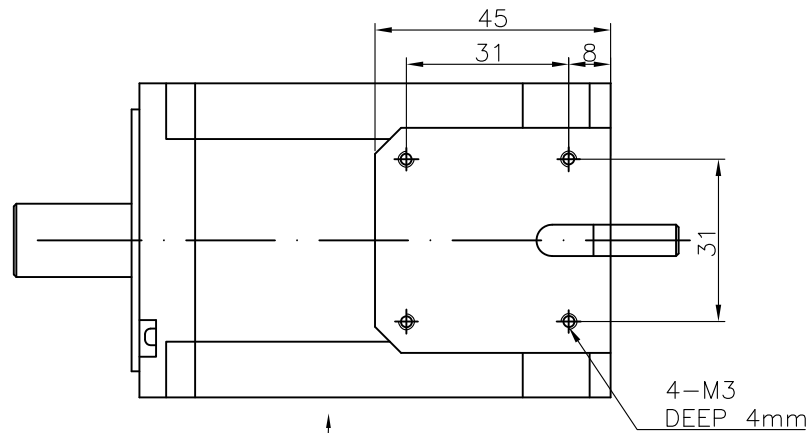
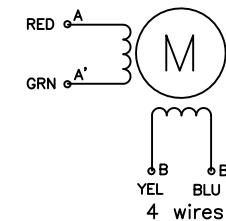
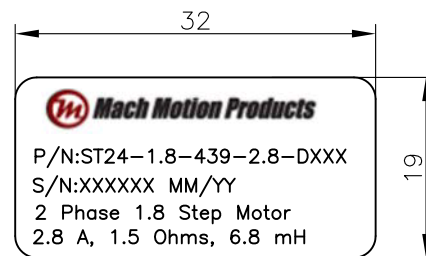


NOTE:
1. HI-POT: 600VDC,1S,2mA



MOTOR PARAMETERS			
	UNITS	TOLERANCE	VALUE
STEP ANGLE			1.8
ACCURACY			±5%
HOLDING TORQUE	Nm	Min	3.1
RATED CURRENT	A/ph		2.8
PHASE RESISTANCE	Ohms	±10%	1.5
PHASE INDUCTANCE	mH	±20%	6.8
DETENT TORQUE	Nm	Max	0.17
ROTOR INERTIA (Ja)	gcm ₂		840
WEIGHT	kg		1.4
INSULATION CLASS			B



NOTE: THIS DRAWING HAS BEEN CREATED BY AUTOCAD. MANUAL REVISIONS ARE NOT ALLOWED.

MATERIAL		TOLERANCE UNLESS OTHERWISE SPECIFIED ISO 2768-1 MEDIUM			
DRAWN XXX	CHECKED XXX	APPROVED - DATE XXX - 00/00/00	FILENAME XXX	DATE 00/00/00	SCALE N/A
Mach Motion Products			STEPPING MOTOR		
			ST24-1.8-439-2.8-DXXX		