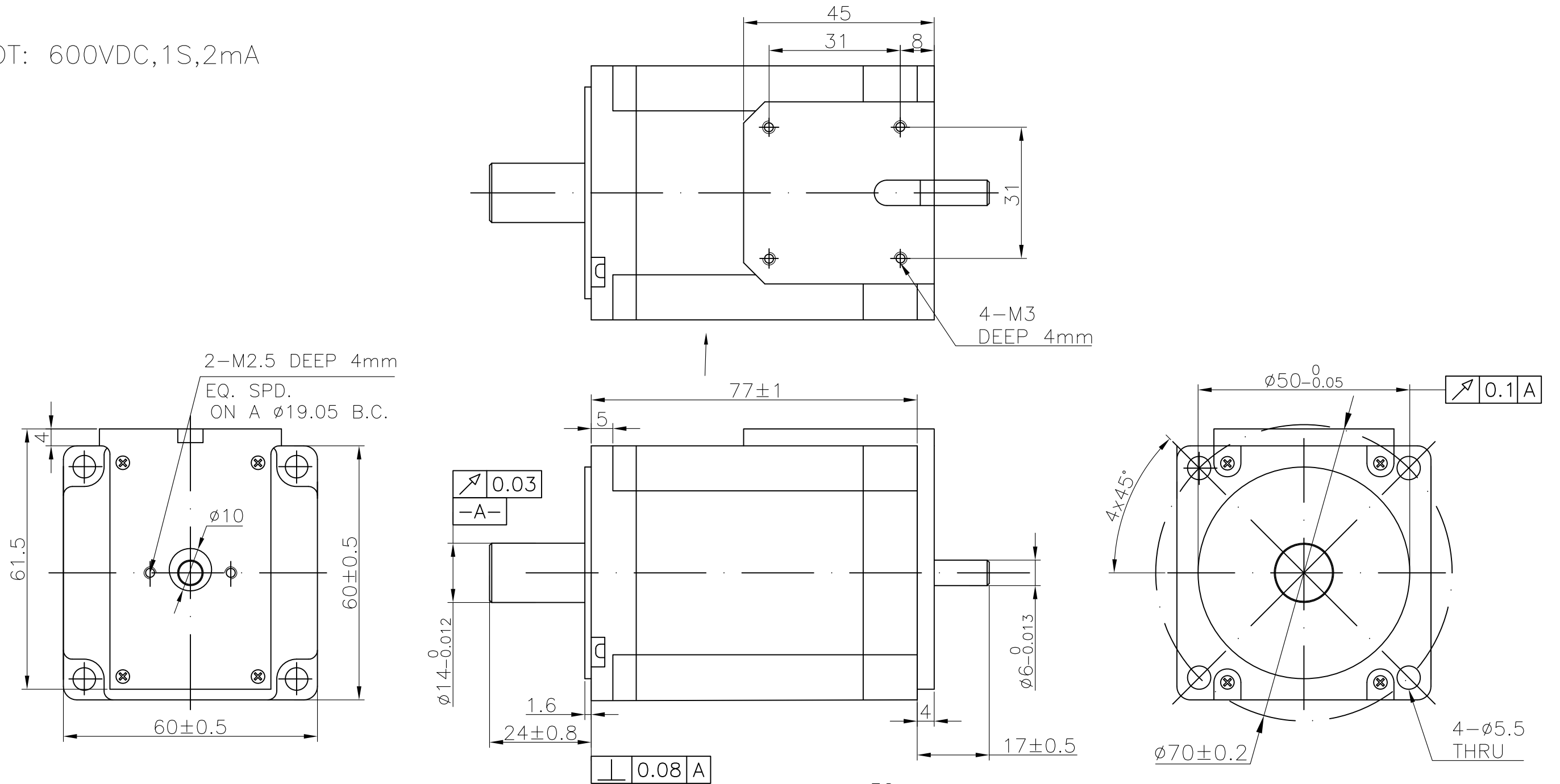


NOTE:

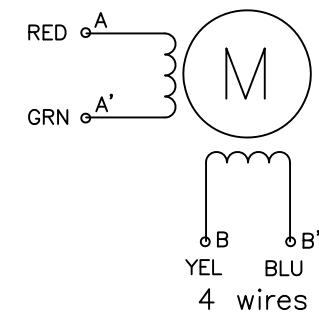
1. HI-POT: 600VDC,1S,2mA



MOTOR PARAMETERS			
	UNITS	TOLERANCE	VALUE
STEP ANGLE			1.8
ACCURACY			±5%
HOLDING TORQUE	Nm	Min	2.7
RATED CURRENT	A/ph		2.8
PHASE RESISTANCE	Ohms	±10%	1.2
PHASE INDUCTANCE	mH	±20%	5.6
DETENT TORQUE	Nm	Max	0.15
ROTOR INERTIA (Ja)	gcm <sub>2</sub>		579
WEIGHT	kg		1.2
INSULATION CLASS			B

**Mach Motion Products**

P/N: ST24-1.8-297-2.8-DXXX  
 S/N:XXXXXX MM/YY  
 2 Phase 1.8 Step Motor  
 2.8 A, 1.2 Ohms, 5.6 mH



NOTE: THIS DRAWING HAS BEEN CREATED BY AUTOCAD. MANUAL REVISIONS ARE NOT ALLOWED.

MATERIAL		TOLERANCE UNLESS OTHERWISE SPECIFIED ISO 2768-1 MEDIUM			
DRAWN XXX	CHECKED XXX	APPROVED - DATE XXX - 00/00/00	FILENAME XXX	DATE 00/00/00	SCALE N/A
<b>Mach Motion Products</b>		<b>STEPPING MOTOR</b>			SHEET 1/1
		<b>ST24-1.8-297-2.8-DXXX</b>			

This drawing and the information disclosed herein are proprietary data of Mach Motion Products and is to be immediately returned upon request. Reproduction of this drawing or the information contained herein is prohibited without the expressed written approval of Mach Motion Products.