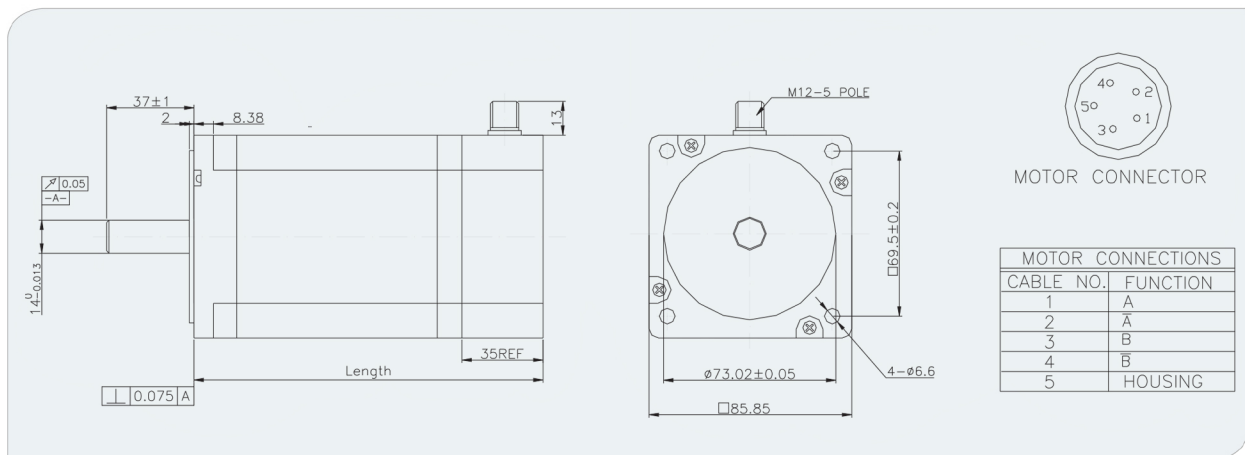


## ST086HP

### Stepper Motor

- 86mm, 1.8Degree IP65 Hybrid Stepper Motor

#### ● Mechanical



#### ● Specifications

Part No.	Phase Current (A)	Phase Resistance (OHMS)	Phase Inductance (mH)	Holding Torque (Ncm)	No. of Wires	Rotor Inertia (g.cm <sup>2</sup> )	Length (mm)	Weight (g)
ST086HP100	6.4	0.33	3	594	4	2700	118	3.4
ST086HP200	9.5	0.23	2.7	933	4	3000	148	4.6