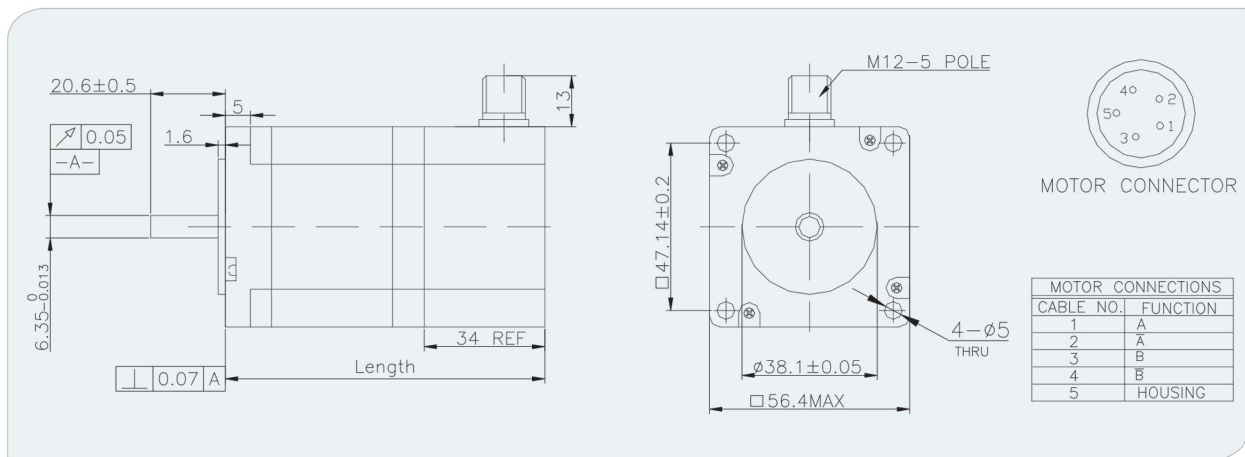


ST057HP

Stepper Motor

- 57mm, 1.8Degree IP65 Hybrid Stepper Motor

● Mechanical



● Specifications

Part No.	Phase Current (A)	Phase Resistance (OHMS)	Phase Inductance (mH)	Holding Torque (Ncm)	No. of Wires	Rotor Inertia (g.cm ²)	Length (mm)	Weight (g)
ST057HP100	2.83	0.75	2.6	85	4	230	73	0.8
ST057HP200	2.82	0.85	3.6	105	4	300	77	0.85
ST057HP300	4.2	0.5	1.9	198	4	480	98	1.14