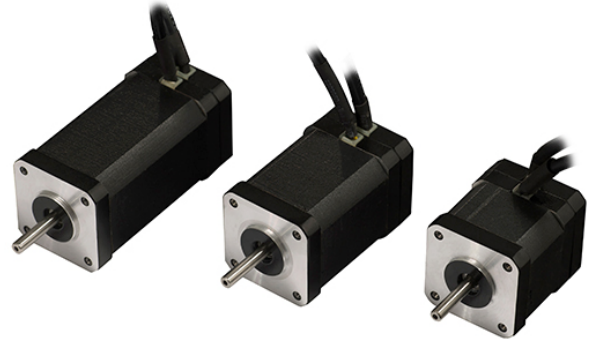


# MBL042AS

## DC Brushless Motor

### ● General Information

- NEMA 17 Flange
- 8 Poles with 3 Phases
- 12 Slot Design for Low Cogging
- Insulation Class B; Higer Insulation on Request
- Sintered Neo Magnet
- Diamond Turned Commutator

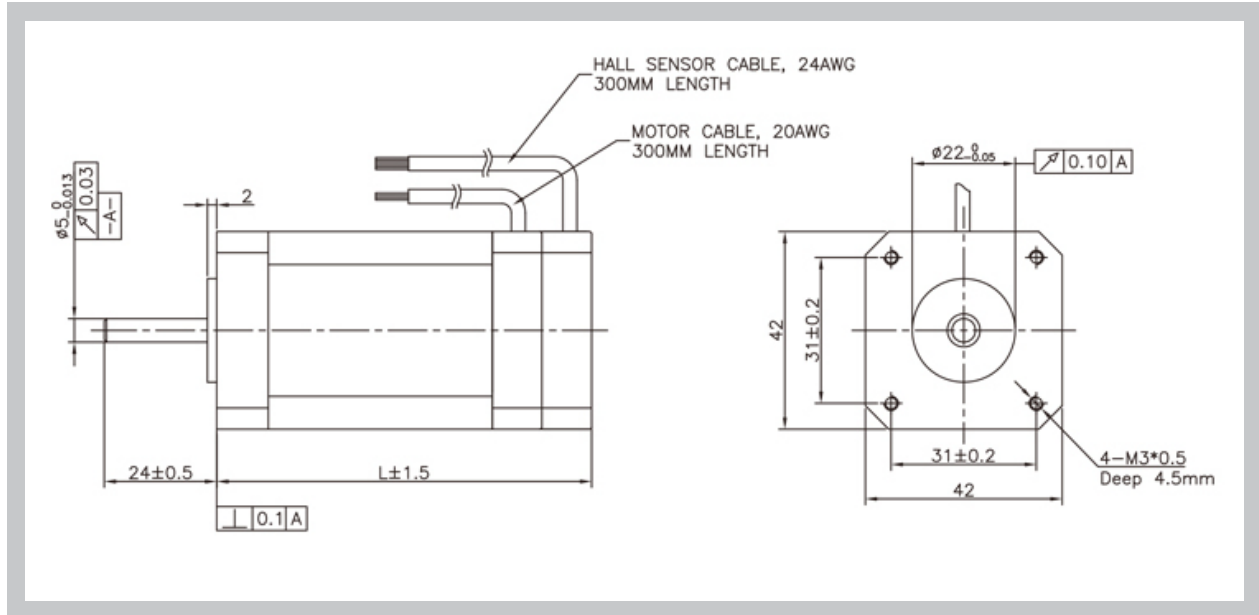


### ● Specifications

Specification	MBL042AS100	MBL042AS200	MBL042AS300
<i>Supply Voltage (VDC)</i>	24	24	24
<i>Rated Continuous Torque (Nm)</i>	0.1	0.2	0.33
<i>Rated Speed at Cont. Torque (RPM)</i>	3000	3000	3000
<i>Rated Continuous Stall Current (A)</i>	2.25	4.8	7.8
<i>Rated Continuous Output Power (W)</i>	31	63	107
<i>Rated Peak Torque (Nm)</i>	0.3	0.77	1.2
<i>Rated Peak Current (A)</i>	7.18	20.27	30.77
<i>Torque Constant (Nm/A)</i>	0.0513	0.0513	0.0513
<i>Voltage Constant (V/KRPM)</i>	5.37	5.37	5.37
<i>Terminal Resistance (OHMS)</i>	2.4	0.98	0.62
<i>Inductance (mH)</i>	1.7	0.58	0.38
<i>Insulation Class</i>	B	B	B
<i>Rotor Inertia (Kg.cm<sup>2</sup>)</i>	2.9E-06	5.9E-06	8.9E-06
<i>Weight (Kg)</i>	0.36	0.55	0.65
<i>Length (mm)</i>	52	71	90

# MBL042AS

● **Mechanical**



● **Characteristic Diagram**

