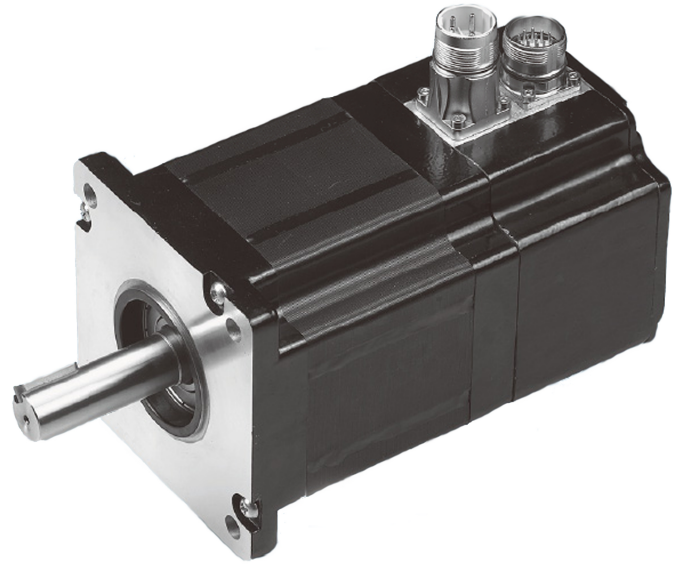


MBL086AS

DC Brushless Motor



● General Information

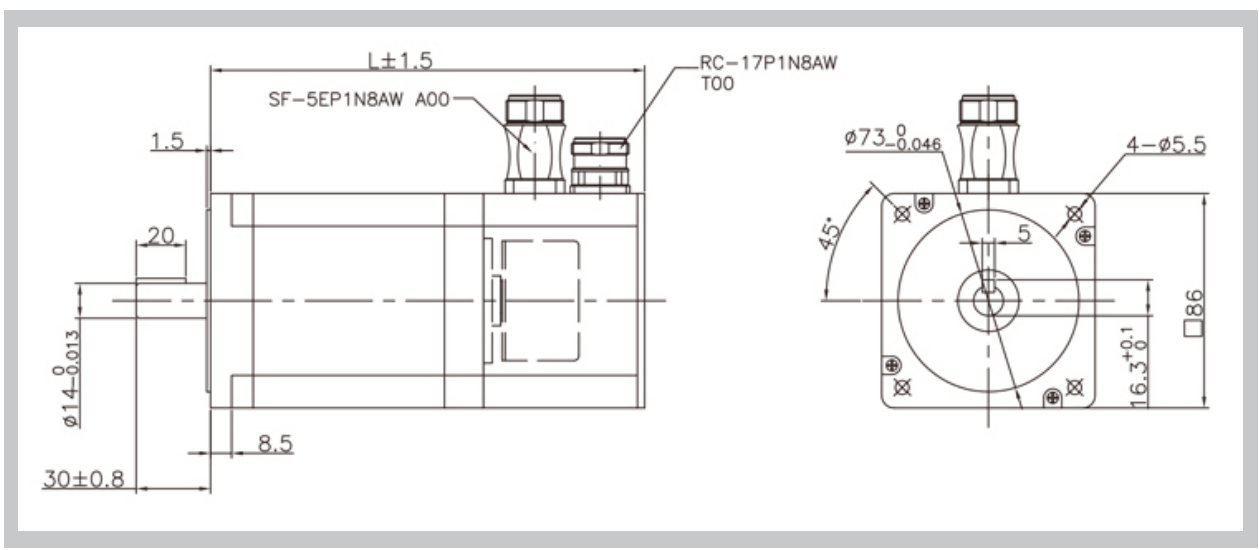
- 8 Poles with 3 Phases
- Servo Application
- Insulation Class F
- Multiple Lines of Encoder Available
- IP 65 Class

● Specifications

Specification	MBL086AS100	MBL042AS200	MBL042AS300
Supply Voltage (VDC)	310	310	310
Rated Continuous Torque (Nm)	0.7	1.41	2.11
Rated Speed at Cont. Torque (RPM)	3000	3000	3000
Rated Continuous Stall Current (A)	1.35	2.68	4.03
Rated Continuous Output Power (W)	221	441	663
Rated Peak Torque (Nm)	2.85	5.67	8.52
Rated Peak Current (A)	4.34	8.64	13
Torque Constant (Nm/A)	0.7059	0.7059	0.7059
Voltage Constant (V/KRPM)	73.88	73.88	73.88
Terminal Resistance (OHMS)	13.5	7	4.4
Inductance (mH)	42	20	14.5
Insulation Class	F	F	F
Rotor Inertia (Kg.m ²)	8E-05	1.6E-04	2.4E-04
Weight (Kg)	1.85	2.6	4
Length (mm)	135	162	189

MBL086AS

● Mechanical



● Characteristic Diagram

