

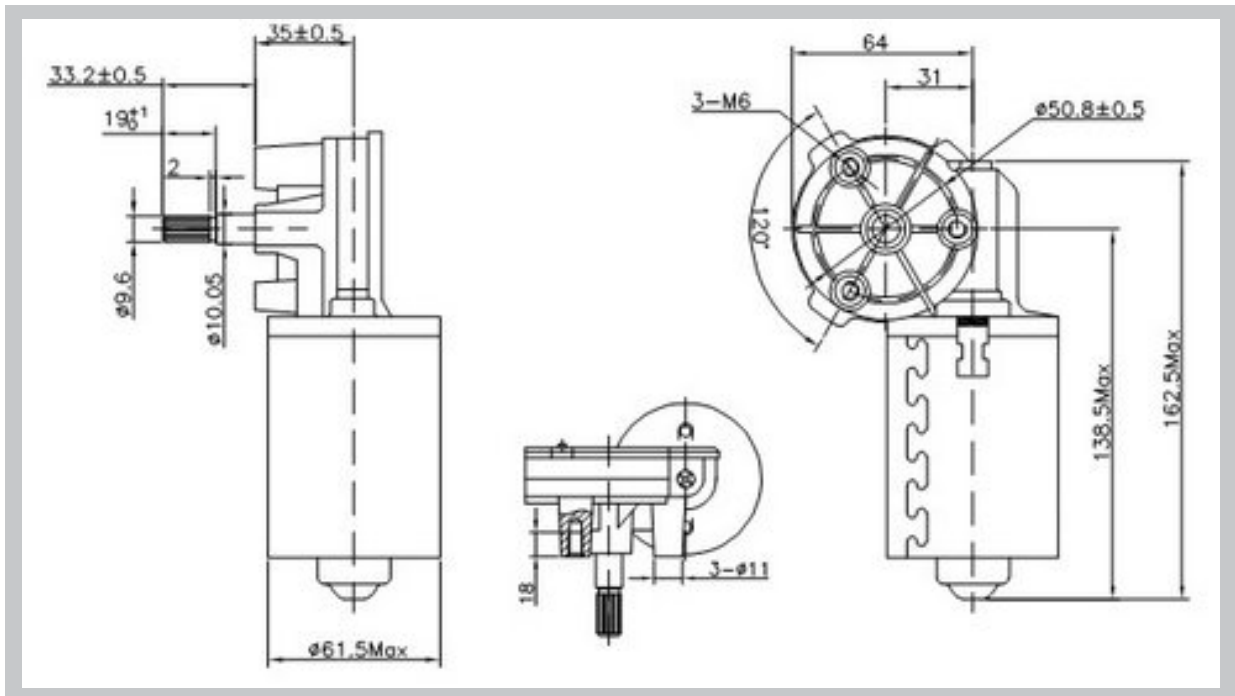
PM062FF

DC Brush Gearmotor

● General Information

- Aluminum Diecasting Gearbox
- Roled Steel Housing Construction
- Built-in EMC Components
- Hal Sensor Feedback Available
- Various Ouput Shaft Extension

● Mechanical



● Specifications

Part No.	No Load Speed		Rated			Peak Torque
	(RPM)	Voltage (V)	Speed (RPM)	Curent (A)	Torque (Nm)	(Nm)
PM065FF100-WD0069	33	24	28	2.5	6	10
PM062FF105-WD0069	62	12	52	12	3	10
PM062FF100-WD0055	77	24	70	3.5	4	14