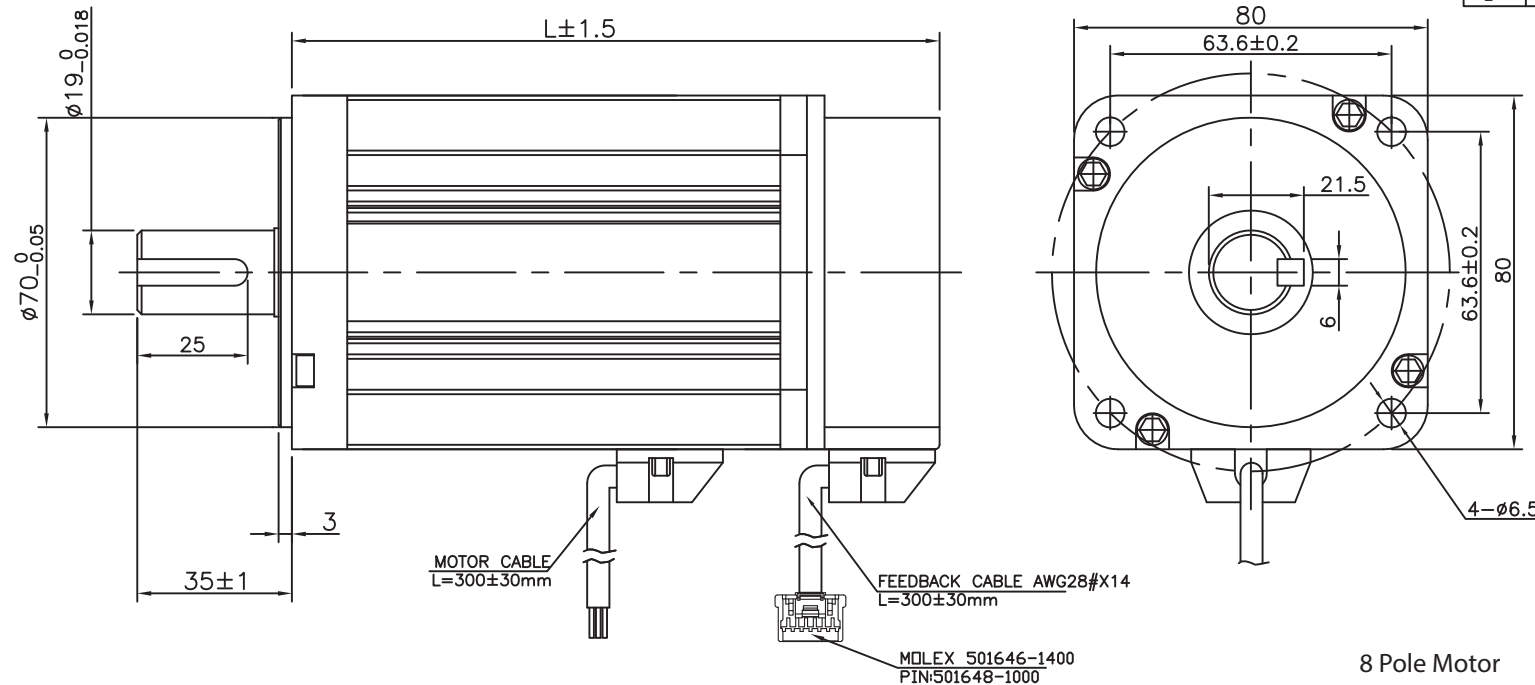


REV	DESCRIPTION	DATE	APPROVE
A	RELEASE	16/08/03	SJQ
B	CORRECT ROTOR INERTIA	17/02/13	QYJ

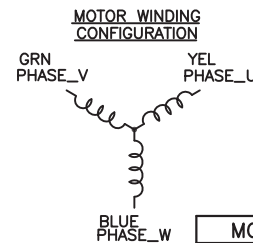


ENCODER SPECIFICATION	
VOLTAGE	+5VDC±5%
CURRENT	<60mA
FREQUENCY	0~300khz
TEMPERATURE	-30~105°C
ENCODER	2500P/R
OUTPUT WAVEFORMS	
ROTATION:CCW AS VIEWED FROM SHAFT END	

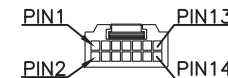
8 Pole Motor

MOTOR PARAMETERS @25°C			
	UNITS	SV080AS-01	SV080AS-02
Supply Voltage(reference) (Vs)	VDC	48	48
Rated Continuous Torque (Tcr)	Nm	1.31	2.44
Rated Speed at Cont.Torque (Scr)	R.P.M.	3000	3000
Rated Continuous Stall Current (Ics)	A	16.93	31.52
Rated Continuous Output Power (Po.c)	W	411	765
Motor Constant (Km)	Nm/√w	0.2030	0.2449
Torque Constant (KT)	Nm/A	0.0812	0.0812
Voltage Constant (KE)	V/krpm	8.50	8.50
Terminal Resistance (Rmt)	ohms	0.16	0.11
Inductance (L)	mH	0.40	0.29
Rated Peak Current (Ipr)	A	57.88	104.21
Rated Peak Torque (Tpr)	Nm	4.50	8.10
Coulomb Friction Torque (Tf)	Nm	0.0470	0.061
Insulation Class		F	F
Rotor Inertia (Jr)	Kg.cm <sup>2</sup>	1.2	1.65
Motor Weight (Wm)	Kg	2.1	2.72
Feedback Device		2500p/rev incremental encoder	
Motor Length (Lm)	mm	132	153

MOLEX 501646-1400  
PIN:501648-1000



FEEDBACK CONNECTOR  
501646-1400



MOTOR CONNECTIONS		
PIN	COLOR	SIGNAL
1	YEL	U
2	GRN	V
3	BLUE	W
4	YEL/GRN	GND

ENCODER CONNECTIONS		
PIN	COLOR	SIGNAL
1	RED	+5v
2	BLK	GND
3	BLU	A+
4	BLU/BLK	A-
5	GRN	B+
6	GRN/BLK	B-
7	YEL	Z+
8	YEL/BLK	Z-
9	BRN	U+
10	BRN/BLK	U-
11	WHT	V+
12	WHT/BLK	V-
13	GAY	W+
14	ORA/BLK	W-

NOTE: THIS DRAWING HAS BEEN CREATED BY AUTOCAD. MANUAL REVISIONS ARE NOT ALLOWED.

MATERIAL		TOLERANCE UNLESS OTHERWISE SPECIFIED ISO 2768-1 MEDIUM			
DRAWN XXX	CHECKED	APPROVED - DATE	FILENAME	DATE XX/XX/XX	SCALE N/A
			BRUSHLESS SERVO MOTOR		SHEET 1/1
			SV080AS-0X		

This drawing and the information disclosed herein are proprietary data of Mach Motion Products, and is to be immediately returned upon request. Reproduction of this drawing or the information contained herein is prohibited without the expressed written approval of Mach Motion Products.